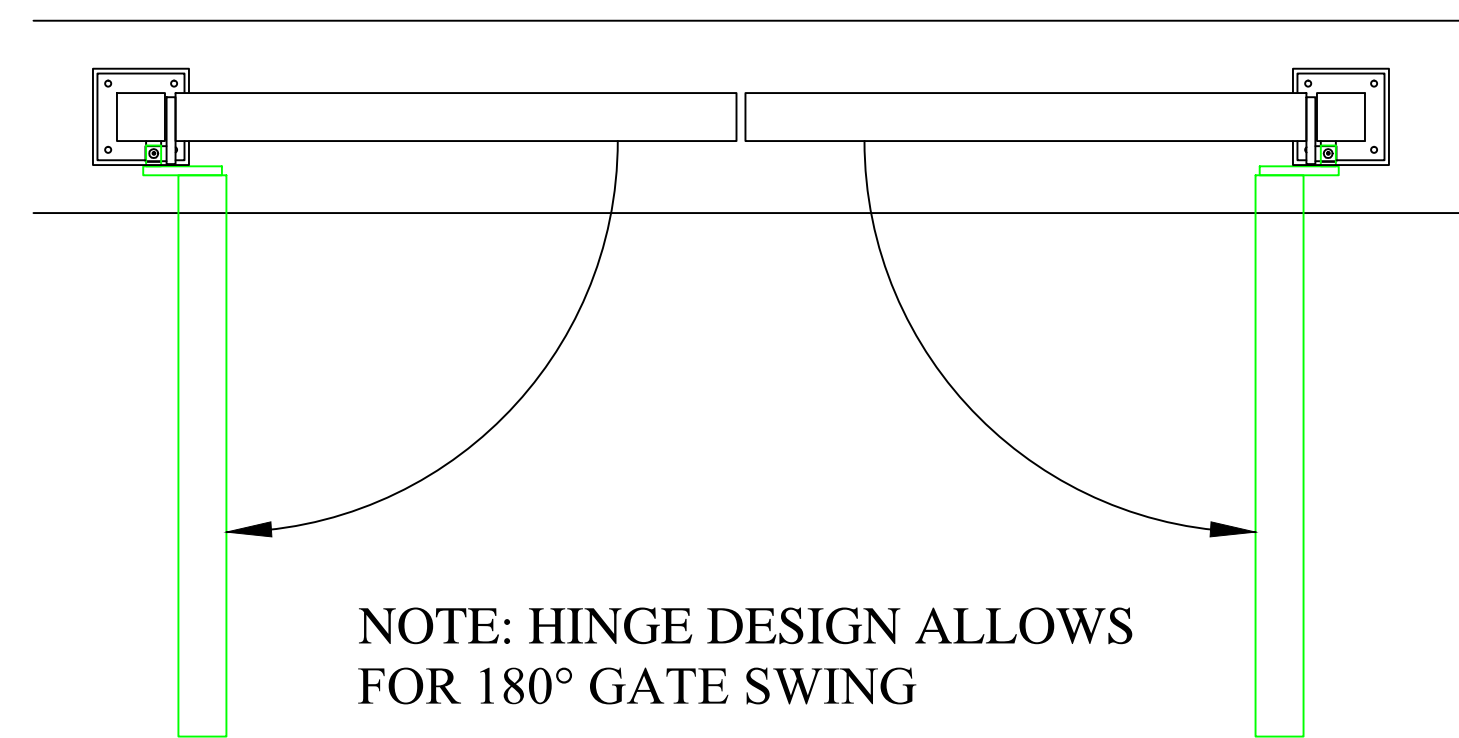
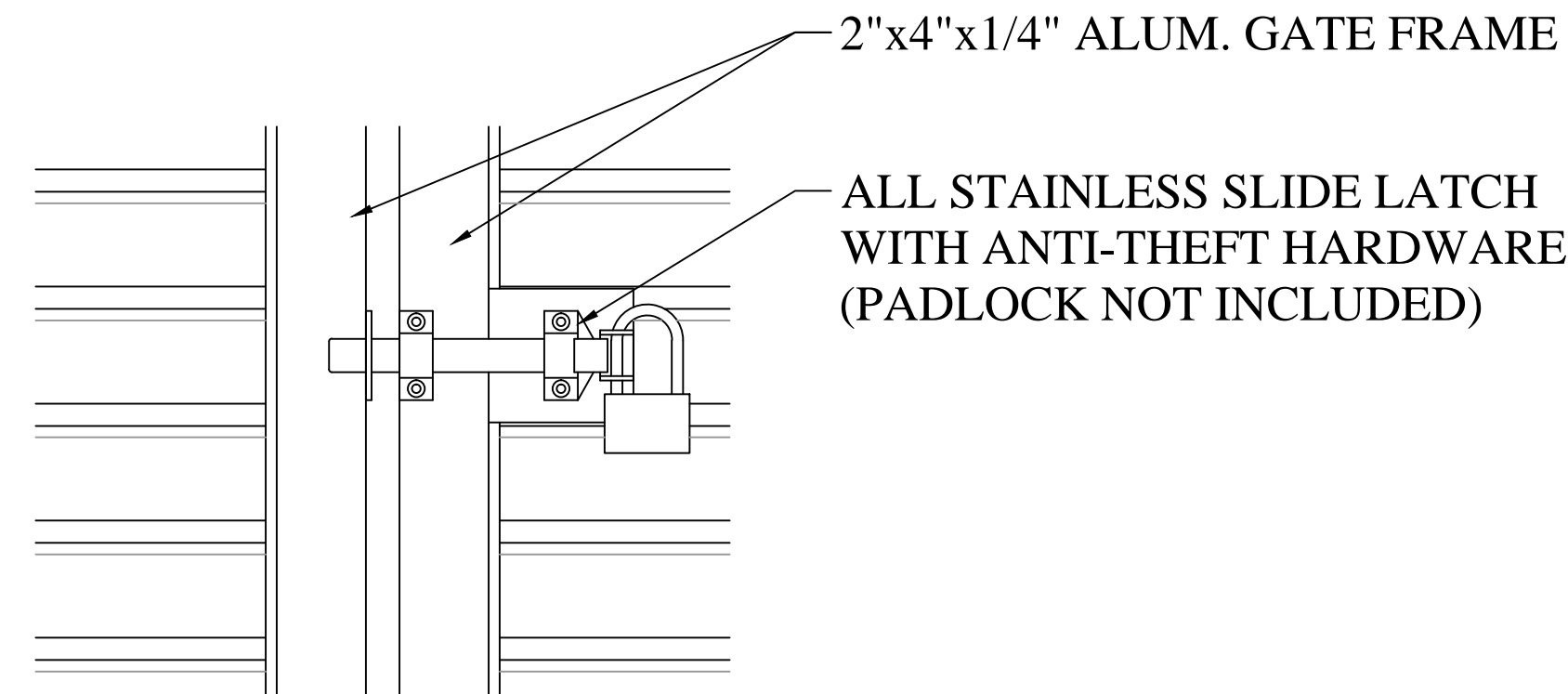


NOTE: THE POTOMAC LOUVER BLADE IS A PROPRIETARY DESIGN BY HERCULES.



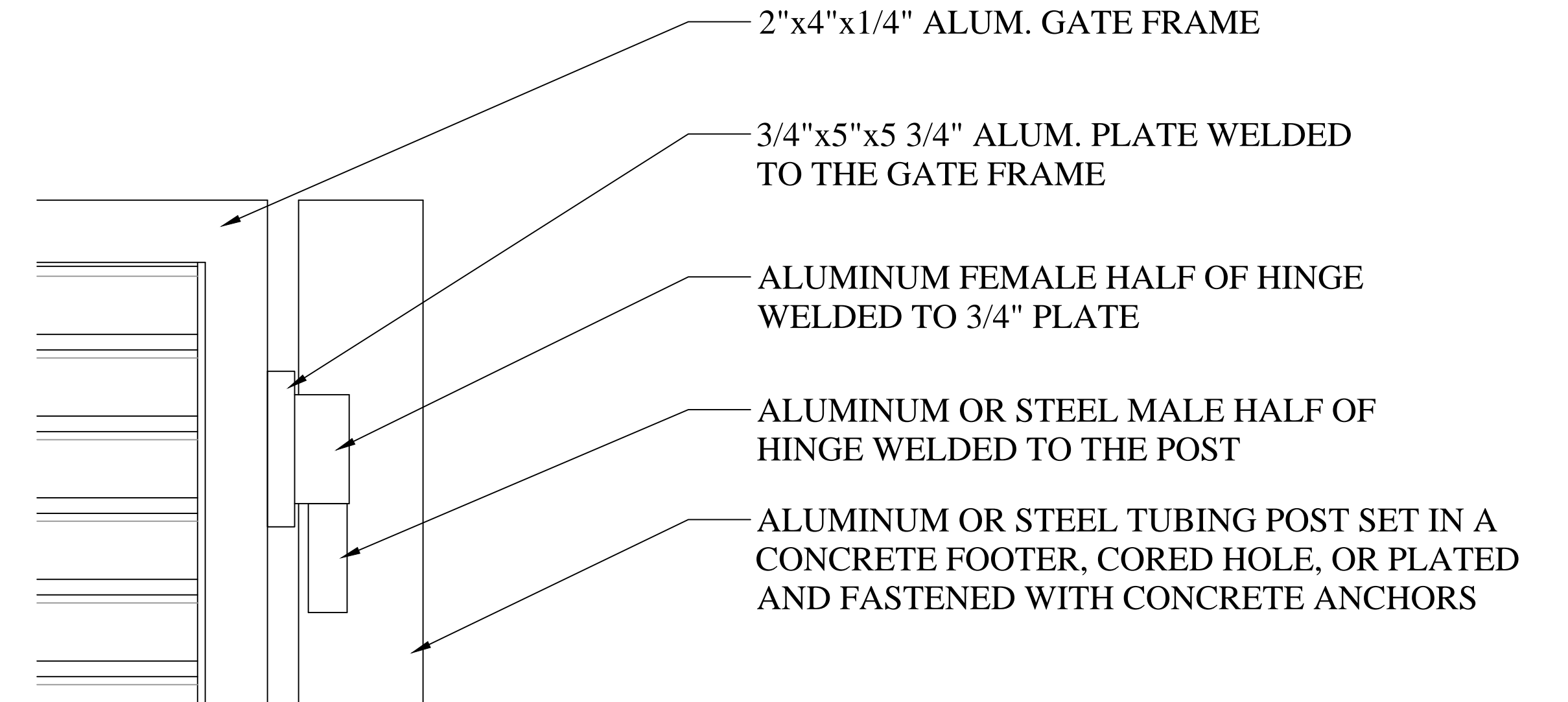
**DOUBLE GATE PLAN**

3/4"=1'-0"



**LATCH DETAIL**

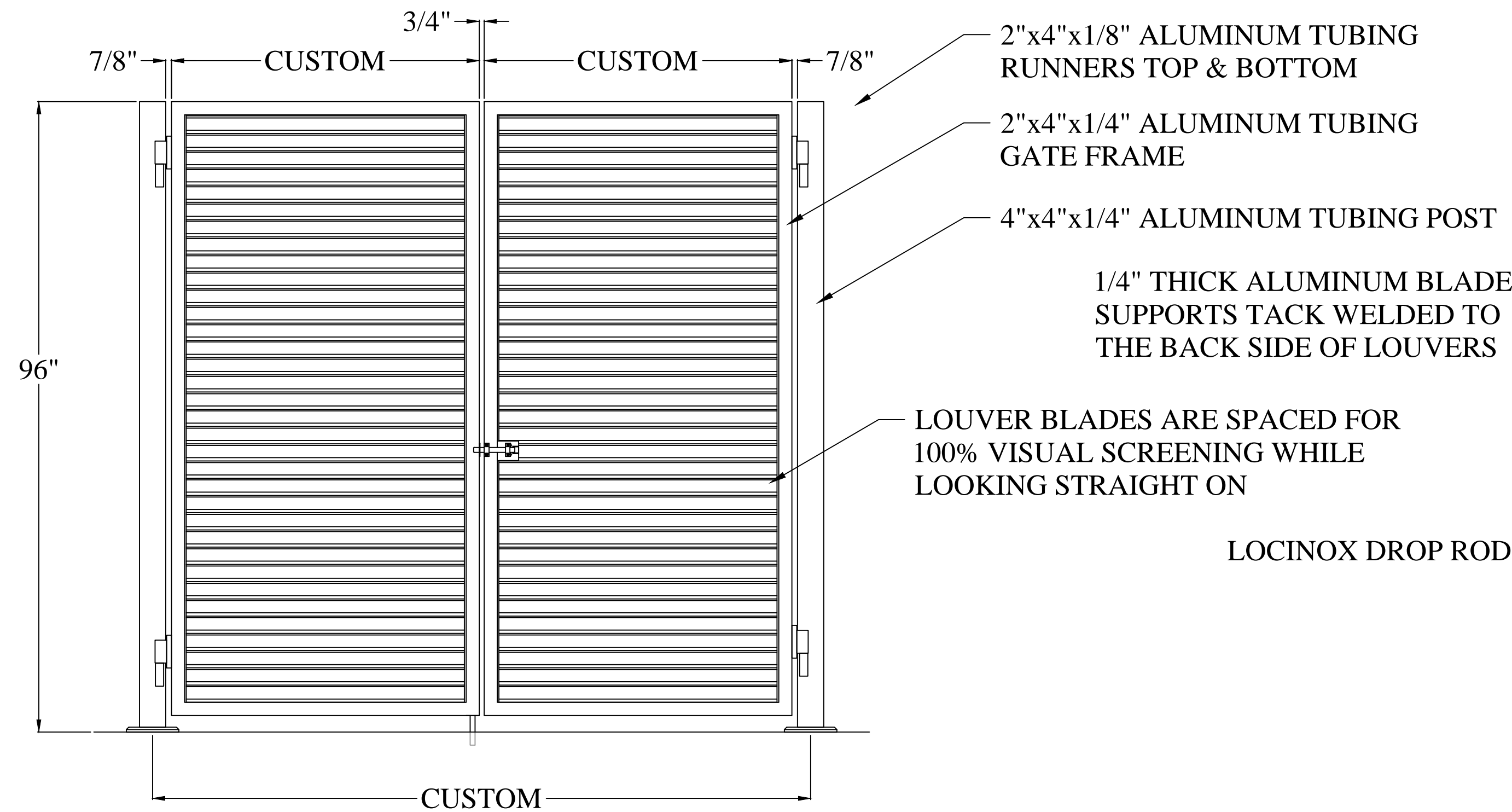
3"=1'-0"



**HINGE DETAIL**

3"=1'-0"

**NOTES:**  
 MEASUREMENTS ARE SITE VERIFIED PRIOR TO PRODUCING BUILD DRAWINGS FOR FABRICATION.  
 LOUVERED SYSTEM RECEIVES A POWDER COATED FINISH AFTER FABRICATION CHOSEN FROM OUR STANDARD RAL COLORS.  
 PANELS ARE MECHANICALLY FASTENED TO THE POSTS WITH STAINLESS STEEL #14x1 1/4" SELF-TAPPING SCREWS.

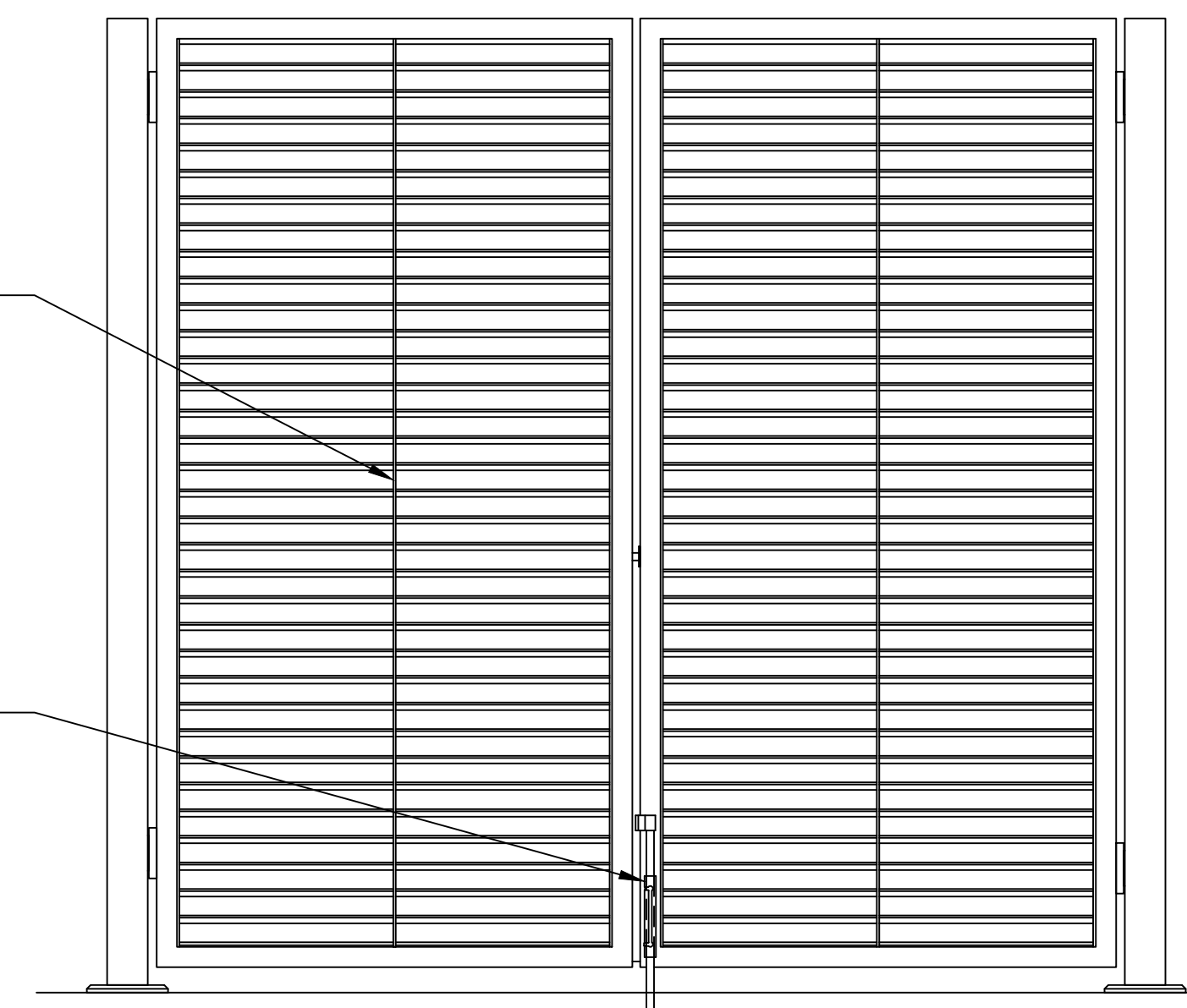


**EXTERIOR ELEVATION**

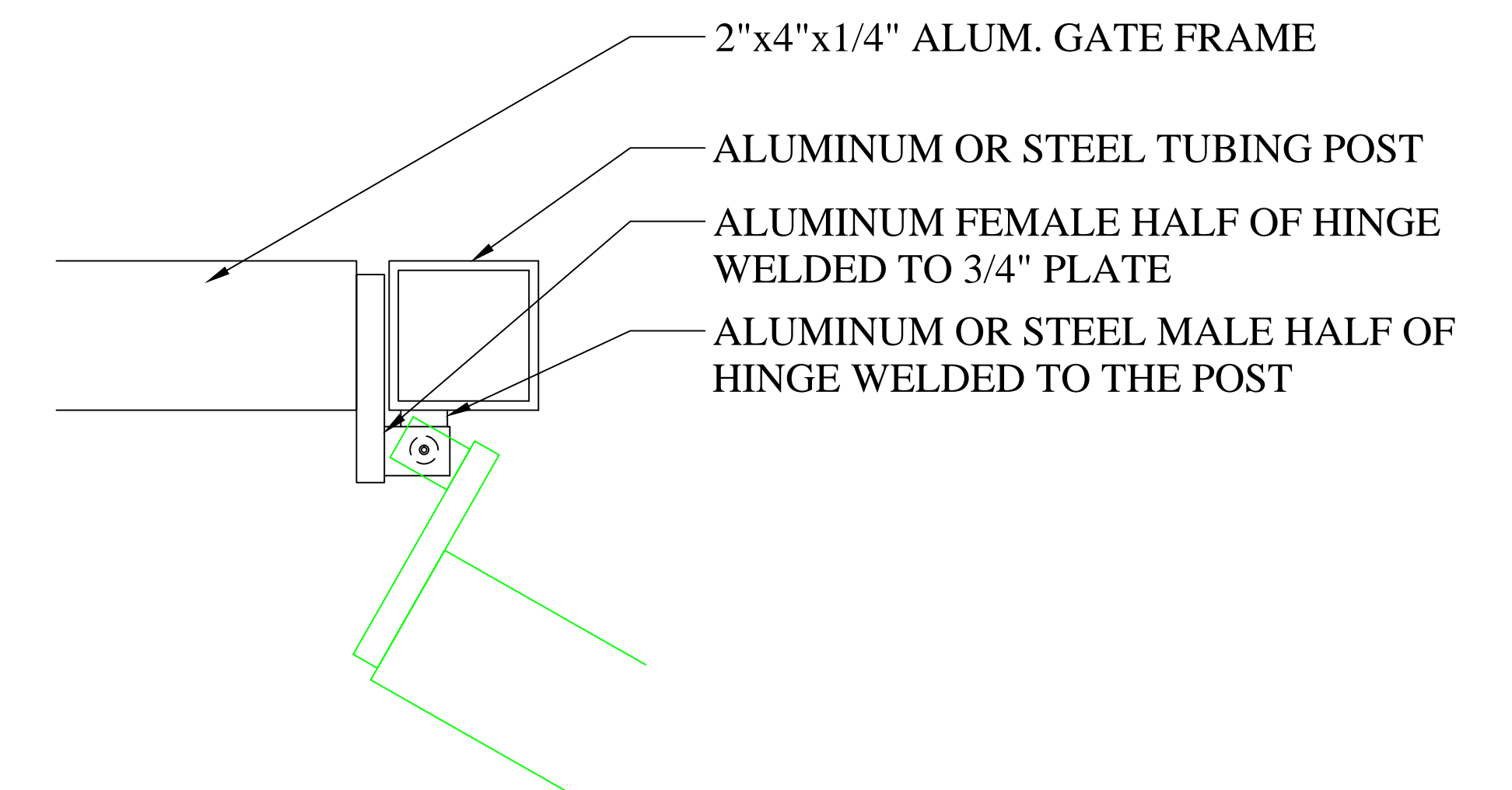
**DOUBLE GATE ELEVATION**

3/4"=1'-0"

8' HEIGHT SHOWN (CUSTOM HEIGHTS AVAILABLE)



**INTERIOR ELEVATION**



**HINGE PLAN DETAIL**

3"=1'-0"

POTOMAC LOUVER  
 GATE DETAILS

Revisions

HERCULES CUSTOM IRON, LLC  
 AN AFFILIATE OF HERCULES FENCE  
 36 W. PENNSYLVANIA AVENUE  
 WALKERSVILLE, MD 21793  
 1-800-331-2590

A1  
 SHEET NO.

Drawn by: D.L.M.  
 Date: 7-8-2015  
 Scale: 3/4"=1'-0"

