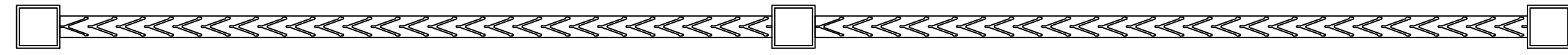
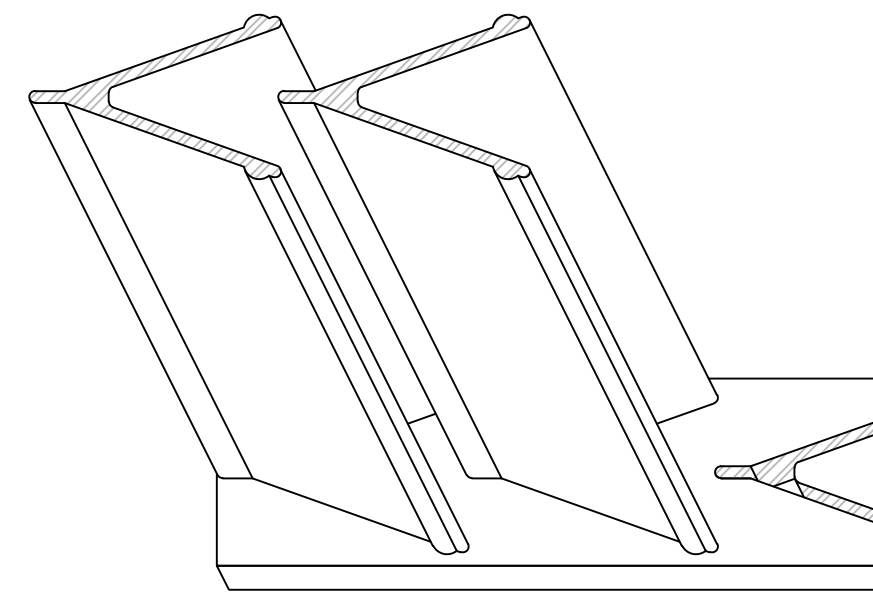


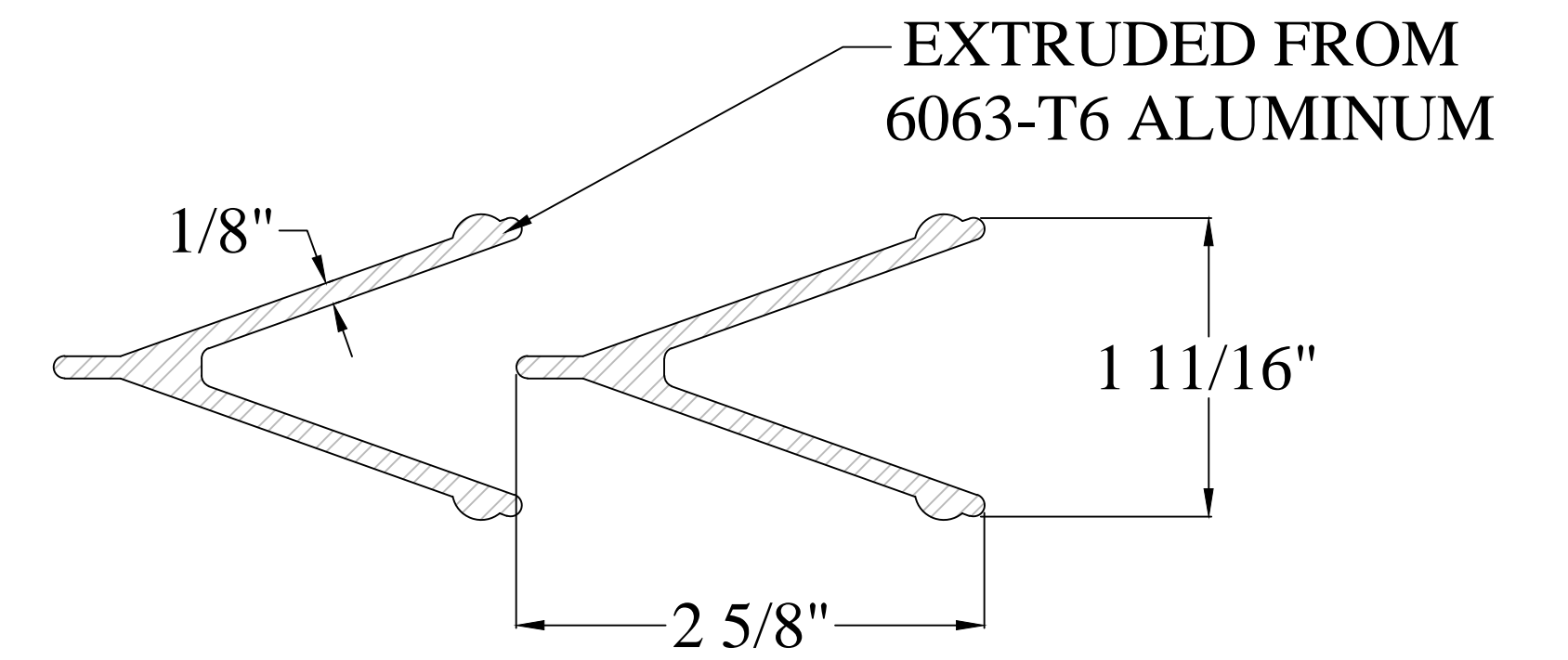
NOTE: THE CHESAPEAKE LOUVER BLADE IS A PROPRIETARY DESIGN BY HERCULES.



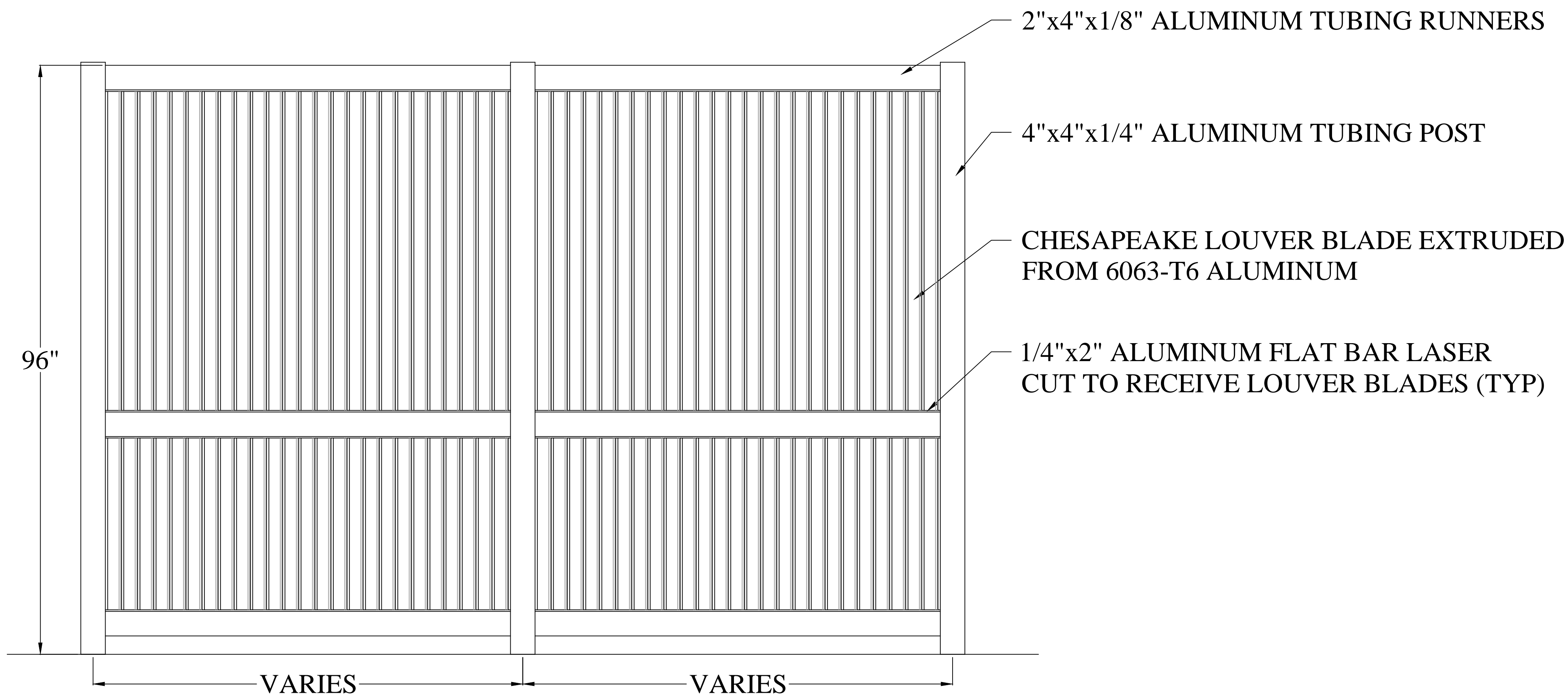
CHESAPEAKE FENCE PLAN
1"=1'-0"



3D IMAGE
6"=1'-0"
CHESAPEAKE LOUVER BLADE
(100% VISUAL SCREEN)



PLAN
1:1



CHESAPEAKE FENCE ELEVATION
1"=1'-0"

NOTES:

MEASUREMENTS ARE SITE VERIFIED PRIOR TO PRODUCING BUILD DRAWINGS FOR FABRICATION.

LOUVERED SYSTEM RECEIVES A POWDER COATED FINISH AFTER FABRICATION CHOSEN FROM OUR STANDARD RAL COLORS.

Revisions _____

HERCULES CUSTOM IRON, LLC
AN AFFILIATE OF HERCULES FENCE
36 W. PENNSYLVANIA AVENUE
WALKERSVILLE, MD 21793
1-800-331-2590

C2
SHEET NO.

Drawn by: D.L.M.
Date: 7-16-2015
Scale: AS SHOWN



CHESAPEAKE LOUVER
FENCE COMPONENT DETAILS