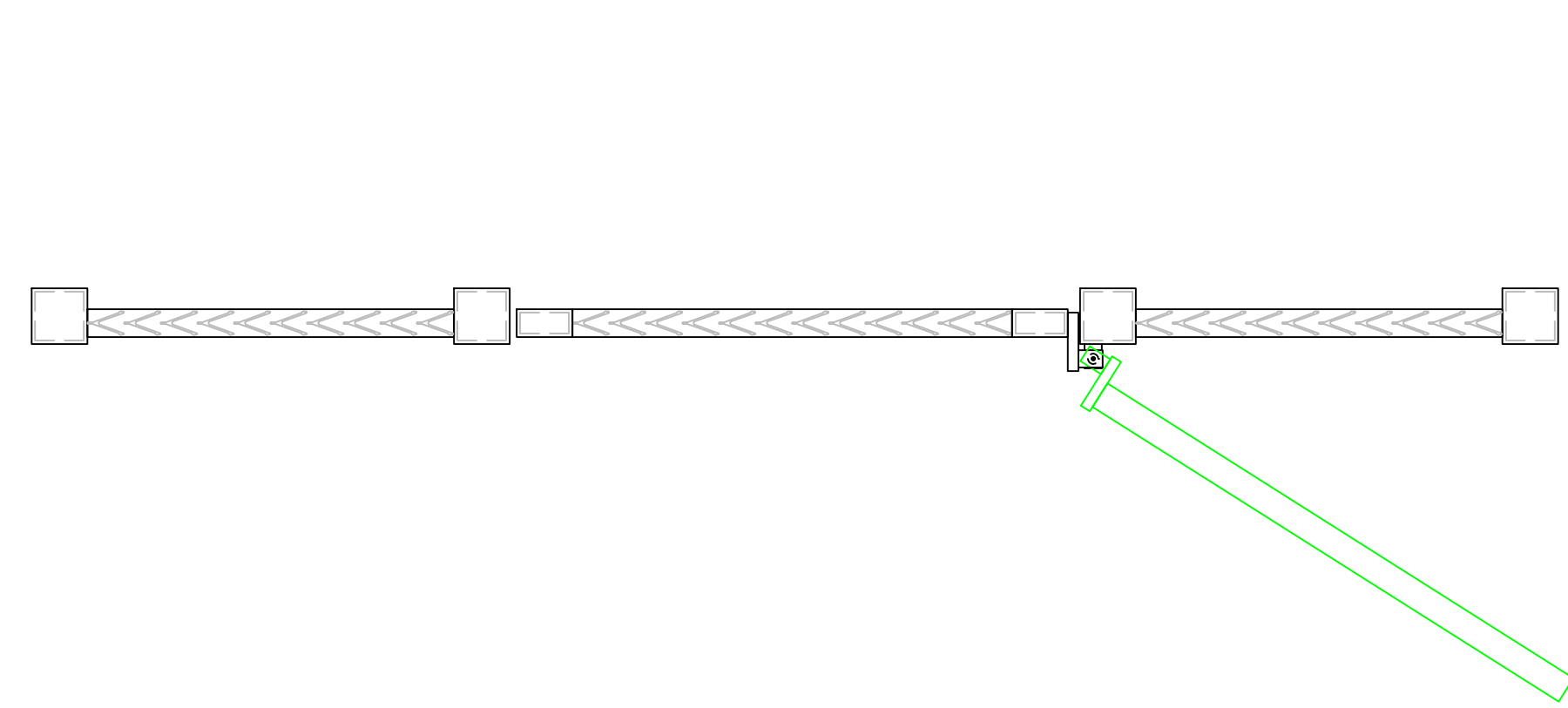
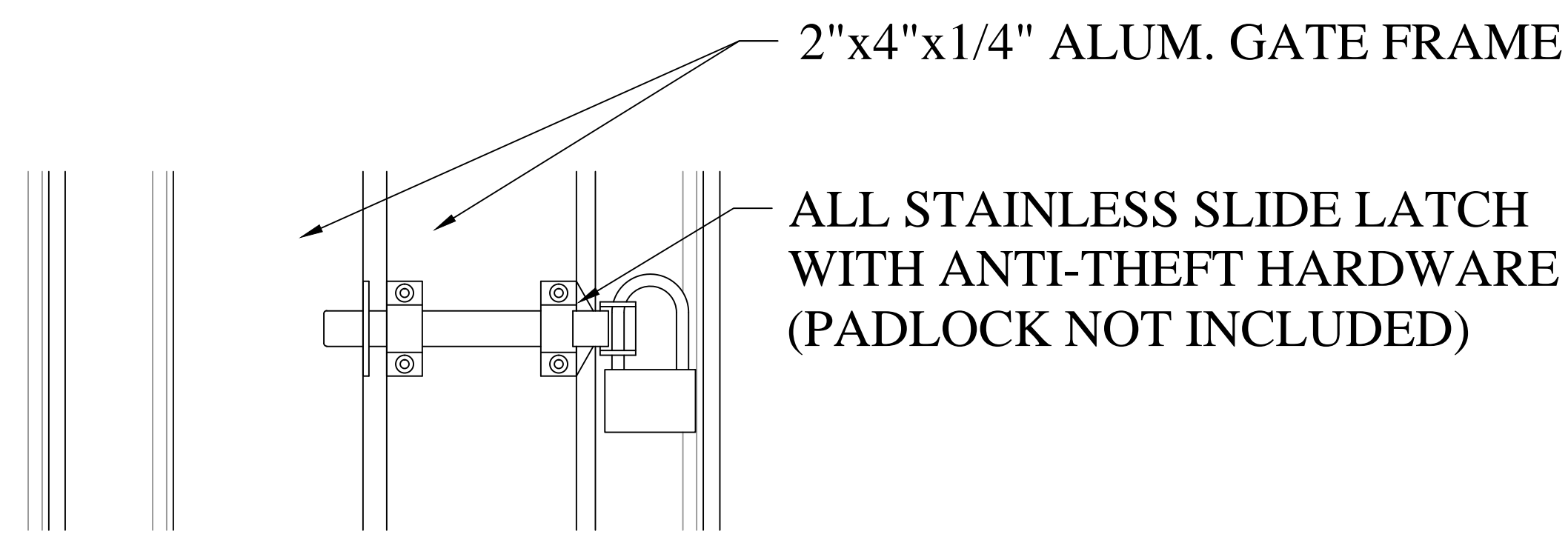


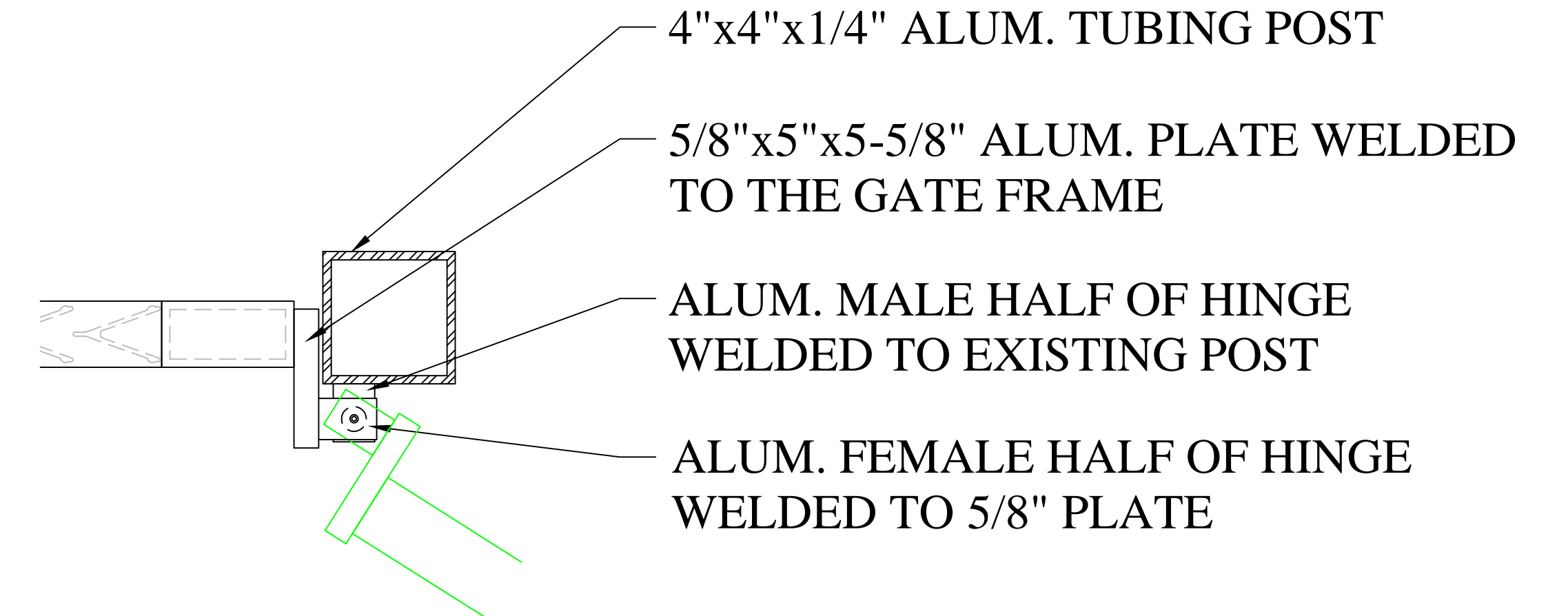
NOTE: THE CHESAPEAKE LOUVER BLADE IS A PROPRIETARY DESIGN BY HERCULES.



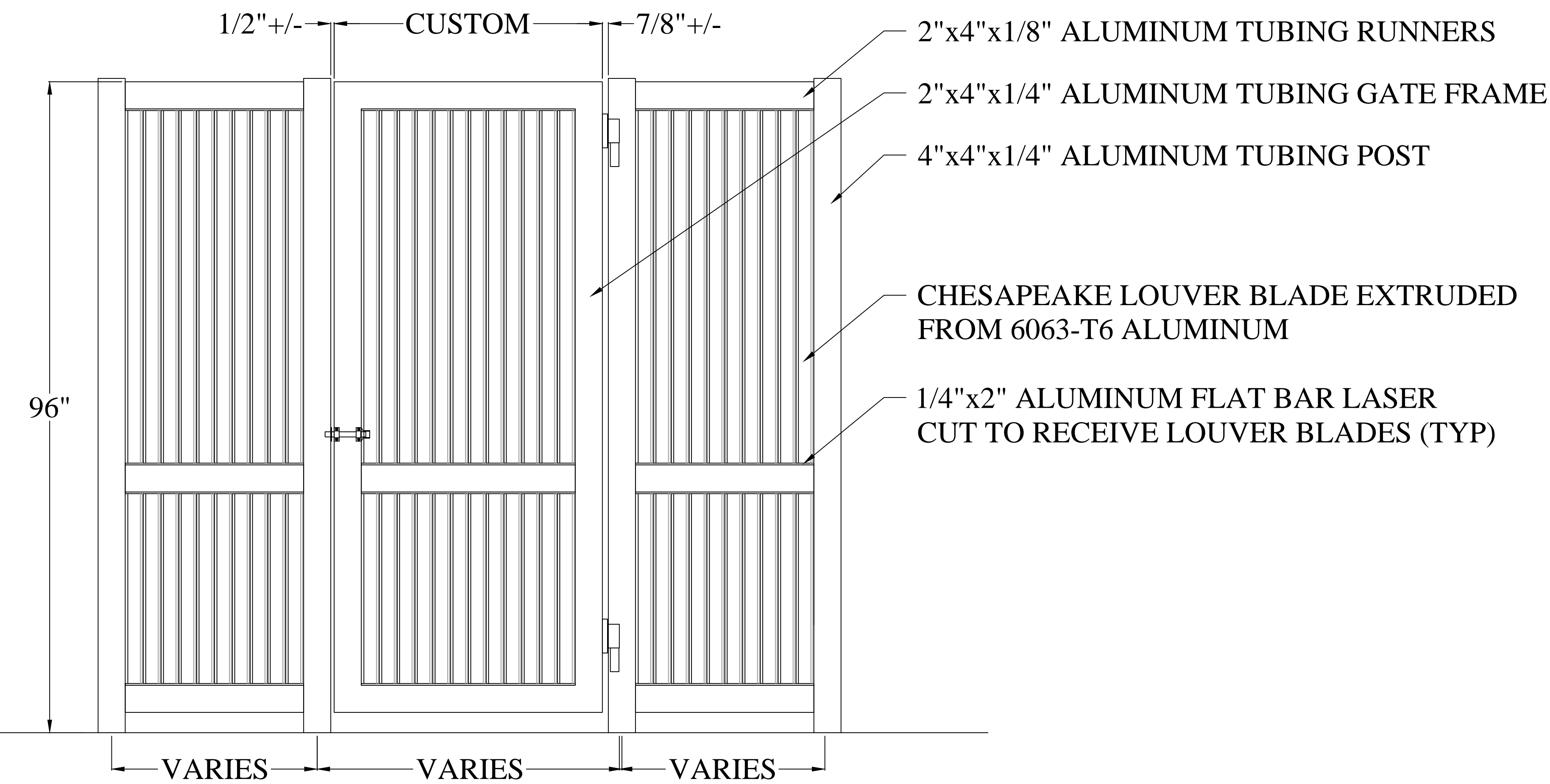
CHESAPEAKE GATE PLAN
1"=1'-0"



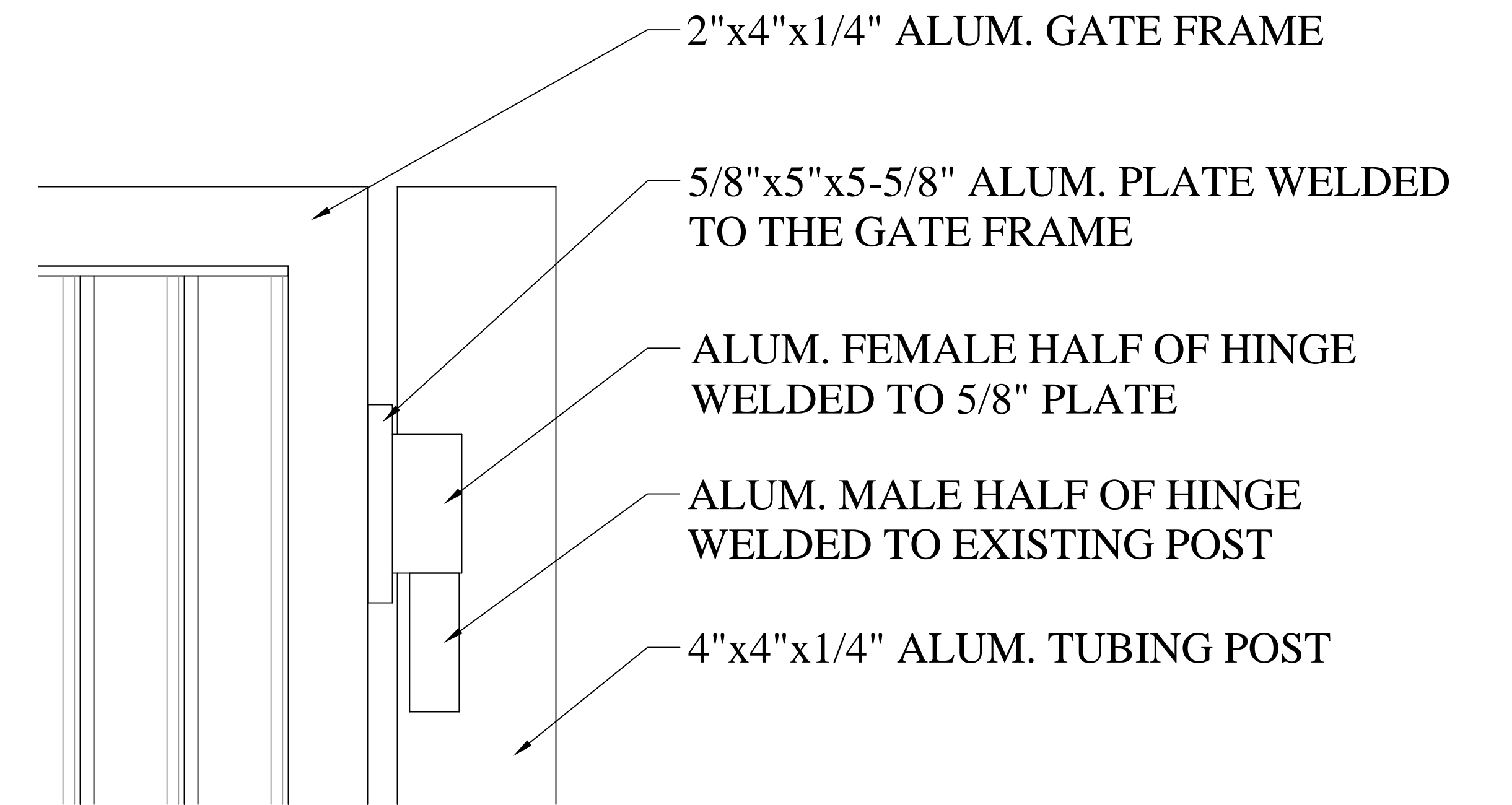
LATCH DETAIL
3"=1'-0"



HINGE PLAN DETAIL
3"=1'-0"



CHESAPEAKE GATE ELEVATION
1"=1'-0"



NOTE: GATE OPENS 180° WITH HINGE DESIGN SHOWN

HINGE DETAIL
3"=1'-0"

CHESAPEAKE LOUVER
GATE COMPONENT DETAILS

Revisions

HERCULES CUSTOM IRON, LLC
AN AFFILIATE OF HERCULES FENCE
36 W. PENNSYLVANIA AVENUE
WALKERSVILLE, MD 21793
1-800-331-2590

C1
SHEET NO.

Drawn by: D.L.M.
Date: 7-16-2015
Scale: AS SHOWN

